

D13-132

D9544

EX

OR D 28,743

DESIGN.

W. B. McDONALD.
INSULATOR PLATE.

No. 28,743.

Patented May 31, 1898.

Fig. 1.

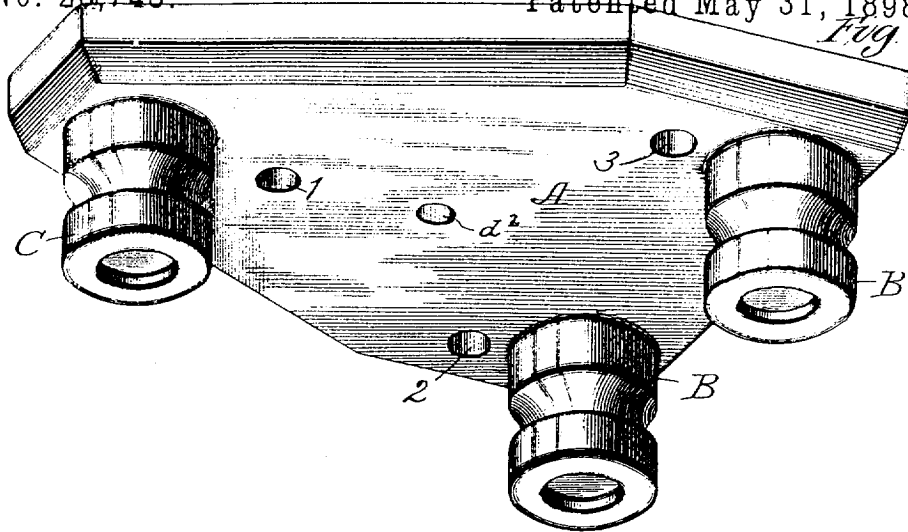


Fig. 2.

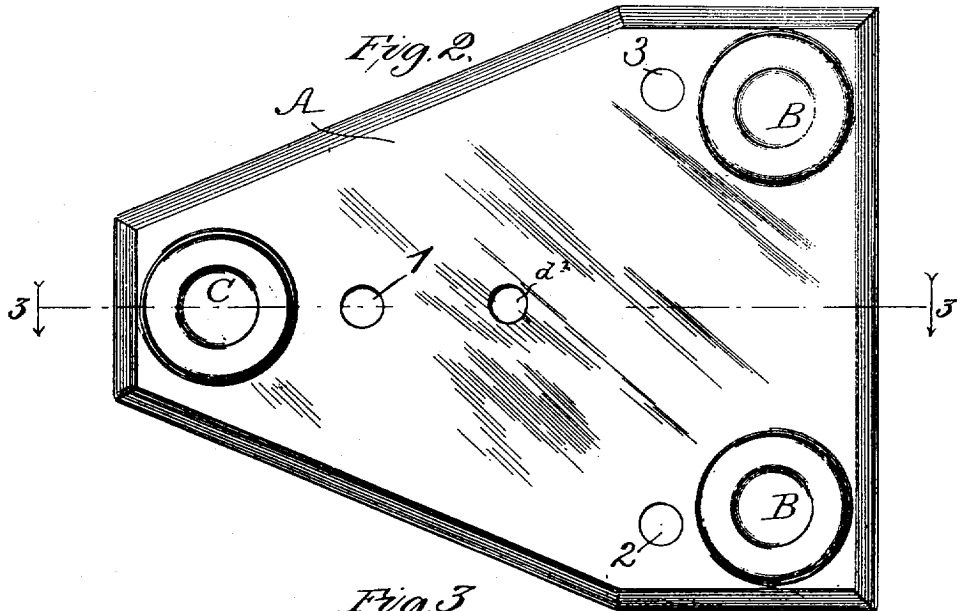
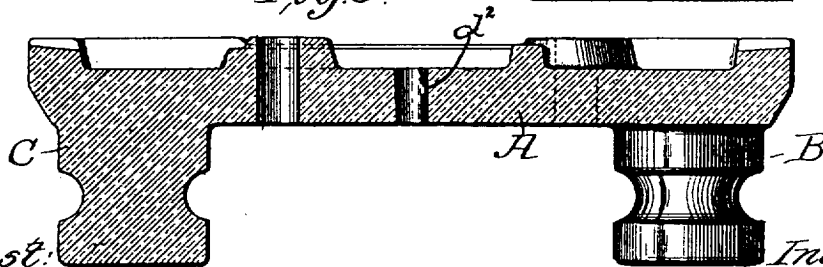


Fig. 3.



Attest:
Low & Thomas
Chas. H. Young

Inventor:
William B. McDonald
By Frank D. Thomas
Atty.